



HANNOVER

APPLICATIONS

The Hannover floodlight is suitable for the general lighting for relevant architectural contexts and for indoor and outdoor environments. The minimal yet impressive design and the power of the light source give the product the solidity that distinguishes it. Through different configurations of the secondary optics, it can be used as a spotlight to highlight interesting architectural details or as a washer and wall washer. When mounted onto a wall, it can illuminate facades, ceilings, beams, vaults and walls, as well as floors, open spaces and entrance halls. The mounting bracket, adjustable from 0° to 105° and rotatable by 180°, enables an easy installation. RGB version is available for scenic effects in all situations where colour is required to create an evocative atmosphere.



FEATURES

High efficiency (>120 lm/W)

ANSI compliant binning, 2 step MacAdams ellipse for each individual lot

Excellent lumen maintenance and colour stability over time

Extensive dimming range - fully dimmable, with external dimmer

Highly efficient secondary optics

IP67 protection rating

Essential and powerful design

Fast connection

Long life and low maintenance costs

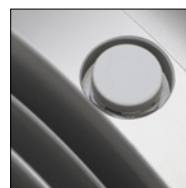
Ecological, no disposal restrictions



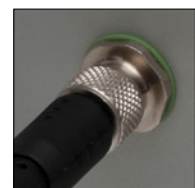
Flush glass



Adjustable bracket



Valve



Connector

SPECIFICATIONS

Performance

LED type	High Power
LED nr. and model	12/18 x Cree XP-E o XP-G / Seoul P5II
Total lumen output (at 85°C)	Up to 3600 lm
Colour temperature (white light)	2800 - 3200 - 4200 - 5500 K
Binning	2 step MacAdam ellipse
CRI	>90 (2800 - 3200 K), >80 (4200 - 5500 K)
Other colours	RGB and on request

Electrical

Supply type	Constant current / constant voltage
Supply value	350 mA / 700 mA / 24 Vdc
Maximum power consumption	Up to 48 W
Connection	M12 2/4/6 poles connector

Physical

Body material	Cossonion-resistant aluminium
Body finish	Anodization
Optic material	PMMA
Optic type	TIR
Screen material	6 mm thick extra-clear safety glass
Dissipation	Passive
Protection rating	IP67
Class	III
Weight	3 Kg
Dimensions	See technical drawing
Operating temperature range	-20 / +70 °C
MTBF (LM80)	50.000 hrs
Mounting	Any position

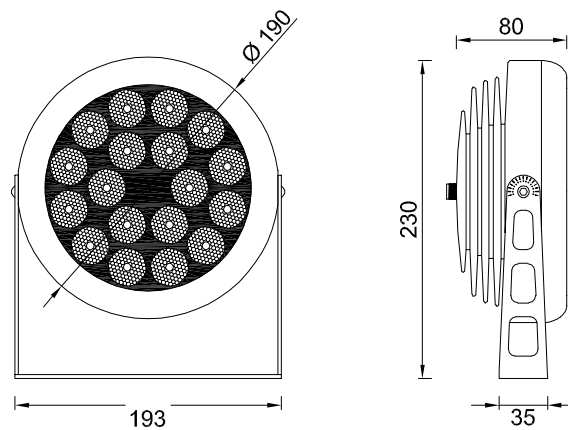
HOW TO ORDER

Model ▼	LED nr. ▼	Supply ▼	Optic ▼	Colour ▼
hN190	□□	□□□	□□□	□□□
hN190 Hannover	12 12 LEDs (RGB) 18 18 LEDs (mono)	350 3 x 350 mA (RGB) 324 3 x 350 mA @ 24 Vdc (RGB) 700 700 mA (mono) 724 700 mA @ 24 Vdc (mono)	010 10° (mono) 021 21° (mono) 039 39° (mono) x44 10° x 44° (mono) 025 25° (RGB) 040 40° (RGB)	WW2 Warm white 2800K WW3 Warm white 3200K NW4 Neutral white 4200K CW5 Cold white 5500K RGB RGB

Order code example: **hN190-18724039CW5**

Note: not all combinations of technical features are possible, please check with our technical office at the e-mail address tecnico@futuraoluce.it

TECHNICAL DRAWING



ACCESSORIES

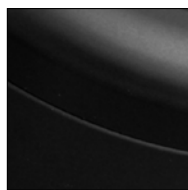
Cables

Cable with M12 2-pole connector female/flying leads L=2 m (monochromatic c.v.)	CMP00487
Cable with M12 2-pole connector female/flying leads L=5 m (monochromatic c.v.)	CMP00488
Cable with M12 2-pole connector female/flying leads L=10 m (monochromatic c.v.)	CMP00489
Cable with M12 2-pole connector female/flying leads L=15 m (monochromatic c.v.)	CMP00490
Cable with M12 4-pole connector female/flying leads L=2 m (RGB c.v.)	CMP00259
Cable with M12 4-pole connector female/flying leads L=5 m (RGB c.v.)	CMP00303
Cable with M12 4-pole connector female/flying leads L=10 m (RGB c.v.)	CMP00370
Cable with M12 4-pole connector female/flying leads L=15 m (RGB c.v.)	CMP00555
Cable with M12 6-pole connector female/flying leads L=2 m (monochromatic & RGB c.c.)	CMP00482
Cable with M12 6-pole connector female/flying leads L=5 m (monochromatic & RGB c.c.)	CMP00483
Cable with M12 6-pole connector female/flying leads L=10 m (monochromatic & RGB c.c.)	CMP00484
Cable with M12 6-pole connector female/flying leads L=15 m (monochromatic & RGB c.c.)	CMP00485

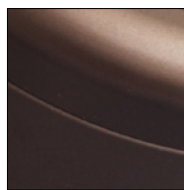
Watertight connections

IP68 Paguro 5665 Junction box - 2x2,5 sqmm - parallel connection	CMP00850
IP68 Paguro 5650/3 Junction box - 3x2,5 sqmm - parallel connection	CMP00851
IP68 Paguro 5664/20 Junction box - 4x2,5 sqmm - parallel connection	CMP00852
IP68 Paguro 5633/6 Junction box - 6x0,5 sqmm - parallel connection	CMP00853
IP68 Paguro 5663 Junction box - 3x6 sqmm - series/parallel connection	CMP00854

Finishes



Matt black
anodized aluminium
[ALL-BLK](#)



Dark brown
anodized aluminium
[ALL-BRZ](#)