



DROP4

APPLICATIONS

Fixed recessed luminaire of the Drop4 series are compact 4-LED products particularly suitable for lighting design of outdoor areas. These products are typically used to achieve ambient, scenic or accent lighting effects on walkways, vegetation and urban facades. Several fixtures in a row can be installed to highlight interesting architectural details or for marking and warning purposes. Equipped with round or square flange, this series adapts perfectly to existing architectural features and is particularly fitting to any situation that requires a high Protection rating. When design requirements are particularly complex, Drop4 allows to manage with greater flexibility the scenic lighting of architectures, by using more fixture in a row instead of a single stronger source. All fixtures are already equipped with a connection cable for a flawless installation, extendable on request.



FEATURES

High efficiency (>120 lm/W);

ANSI compliant binning, 2 step MacAdams ellipse for each individual lot

Excellent lumen maintenance and colour stability over time

Extensive dimming range - fully dimmable, with external dimmer

Highly efficient secondary optics

IP67 protection rating

Walkover device

Long life and low maintenance costs

Ecological, no disposal restrictions



Glass and lenses



O-Ring



Cable gland

SPECIFICATIONS

Performance

LED type	High power
LED nr. and model	4x CREE XP-E o XP-G / 3x Seoul P5II
Total lumen output (at 85°C)	Up to 880 lm
Colour temperature (white light)	2800 - 3200 - 4200 - 5500 K
Binning	2 step MacAdam ellipse
CRI	>90 (2800 - 3200 K), >80 (4200 - 5500 K)
Other colours	On request

Electrical

Supply type	Constant current / constant voltage
Supply value	350 / 700 mA / 24 Vdc
Maximum power consumption	5 - 10 W
Connection	cable L=2 m (2x0.5 mmq / 6x0,35 mmq)

Physical

Body material	Corrosion-resistant aluminium
Body finish	Anodization
Optic material	PMMA
Optic type	TIR
Screen material	6 mm thick extra-clear safety glass
Dissipation	Passive
Protection rating	IP67
Class	III
Weight	0,5 Kg
Dimensions	See technical drawing
Operating temperature range	-25 / +70 °C
MTBF (LM80)	50.000 hrs
Mounting	Recessed with mounting sleeve or retaining spring kit

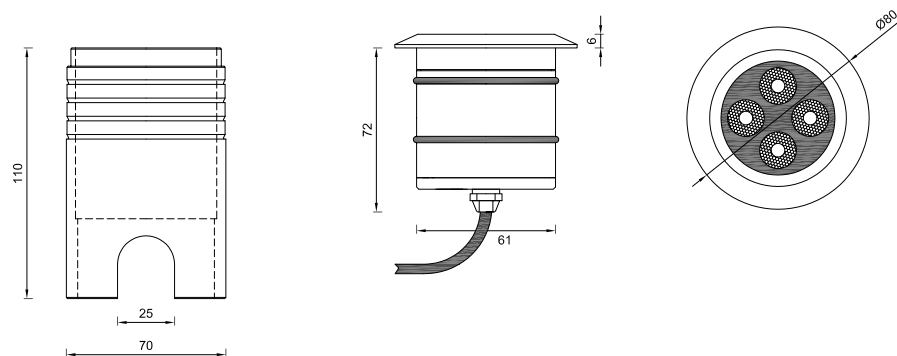
HOW TO ORDER

Model ▼	LED nr. ▼	Supply ▼	Optic ▼	Colour ▼
dR4	□□	□□□	□□□	□□□
dR4 Drop4	03 3 LED 04 4 LED	350 350 mA (RGB) 324 350 mA @ 24 Vdc (mono) 700 700 mA (mono) 724 700 mA @ 24 Vdc (mono)	010 10° (mono) 021 21° (mono) 039 39° (mono) x44 10° x 44° (mono) 025 25° (RGB) 040 40° (RGB)	WW2 Warm white 2800K WW3 Warm white 3200K NW4 Neutral white 4200K CW5 Cold White 5500K RGB RGB

Order code example: **dR4-04724021WW3**

Note: not all combinations of technical features are possible, please check with our technical office at the e-mail address tecnico@futuraoluce.it

TECHNICAL DRAWING



ACCESSORIES

Cables

2-pole power supply cable extra length L=2 m (tot. 4 m, monochromatic)	CABL0202P
2-pole power supply cable extra length L=4 m (tot. 6 m, monochromatic)	CABL0402P
2-pole power supply cable extra length L=6 m (tot. 8 m, monochromatic)	CABL0602P
2-pole power supply cable extra length L=8 m (tot. 10 m, monochromatic)	CABL0802P
6-pole power supply cable extra length L=2 m (tot. 4 m, RGB)	CABL0206P
6-pole power supply cable extra length L=4 m (tot. 6 m, RGB)	CABL0406P
6-pole power supply cable extra length L=6 m (tot. 8 m, RGB)	CABL0606P
6-pole power supply cable extra length L=8 m (tot. 10 m, RGB)	CABL0806P

Mounting kit

Concrete sleeve (corrosion-resistant aluminium)	TRN00007
Retaining spring kit	TRN00247

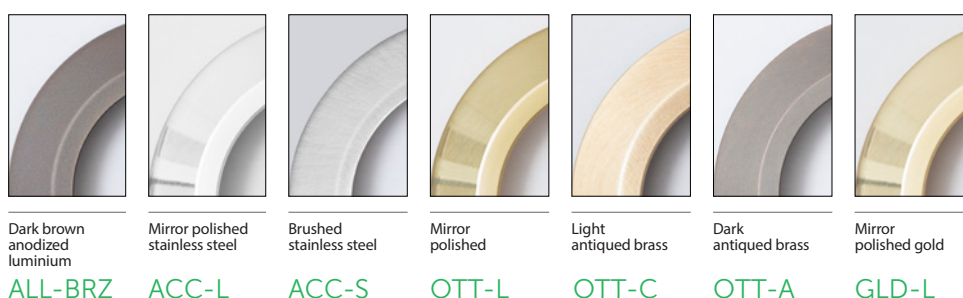
Flanges

V4A stainless steel flange, diameter 80 mm	TRN00004
Brass flange, diameter 80 mm	TRN00226
Aluminium flange with fixing holes, diameter 120 mm	TRN00159
Square aluminium flange, dim. 80 x 80 mm	TRN00262
Square brass flange, dim. 80 x 80 mm	TRN00263

Watertight connections

IP68 Paguro 5665 Junction box - 2x2,5 sqmm - parallel connection	CMP00850
IP68 Paguro 5650/3 Junction box - 3x2,5 sqmm - parallel connection	CMP00851
IP68 Paguro 5664/20 Junction box - 4x2,5 sqmm - parallel connection	CMP00852
IP68 Paguro 5633/6 Junction box - 6x0,5 sqmm - parallel connection	CMP00853
IP68 Paguro 5663 Junction box - 3x6 sqmm - series/parallel connection	CMP00854

Finishes (to be combined to the relative flanges)



Dark brown anodized aluminium Mirror polished stainless steel Brushed stainless steel Mirror polished Light antiqued brass Dark antiqued brass Mirror polished gold

ALL-BRZ

ACC-L

ACC-S

OTT-L

OTT-C

OTT-A

GLD-L