

PROFILES

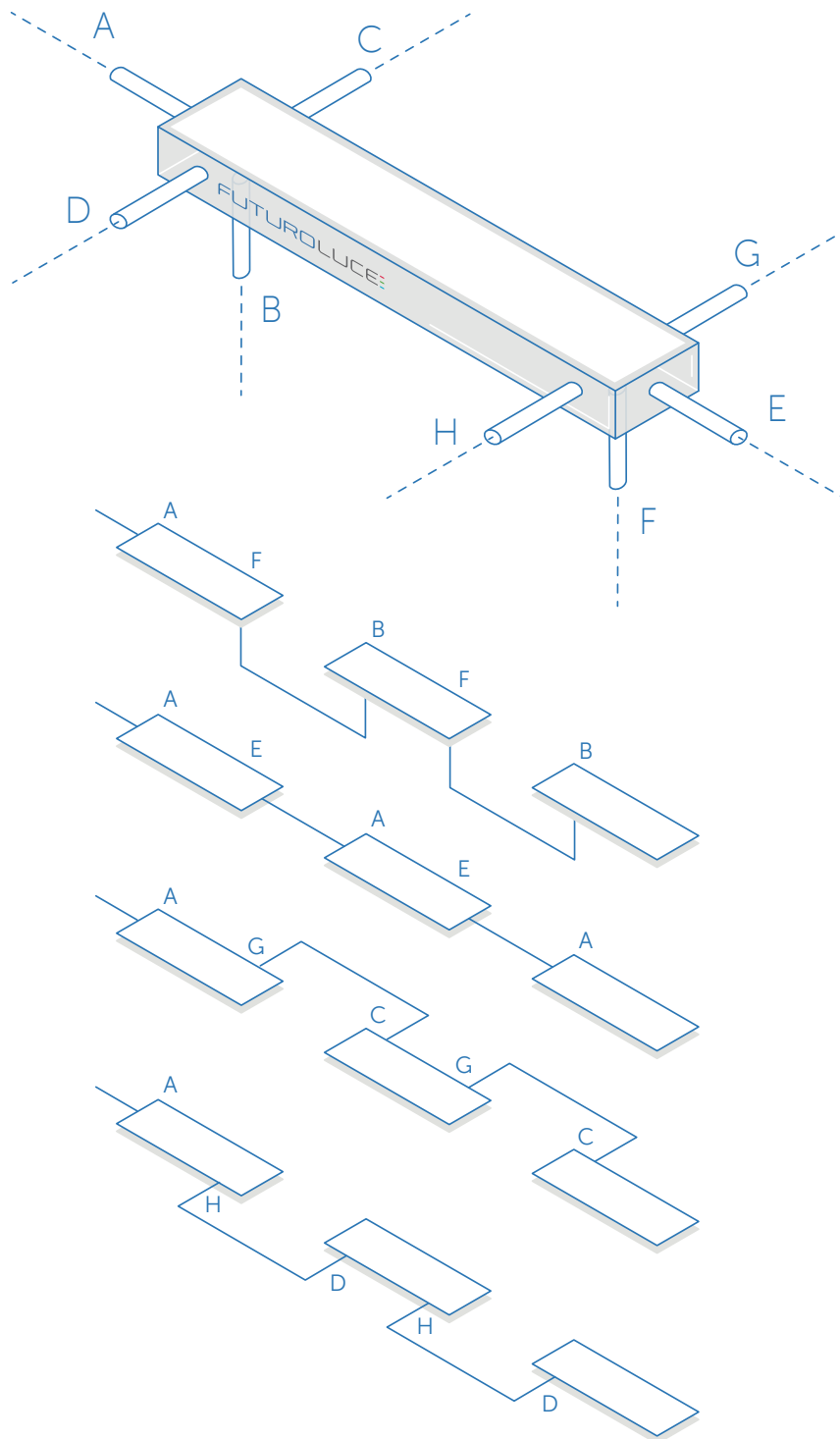
LINES

Lines go too quickly to appreciate the pleasures of the journey. They rush straight to their target and then die in the very moment of their triumph without having thought, loved, suffered or enjoyed themselves. Broken lines do not know what they want. With their caprices they cut time up, abuse routes, slash the joyous flowers and split the peaceful fruits with their corners. It is another story with curved lines.

René Crevel — poet

ALUMINIUM PROFILES

CABLE FEEDING GUIDE



- CAV-A STANDARD front feeding
- CAV-E End feeding
- CAV-B Bottom feeding
- CAV-F Bottom feeding
- CAV-D Right feeding
- CAV-H Right feeding
- CAV-C Left feeding
- CAV-G Left feeding

NOTE:
The sketch shows the configuration possibilities of feeding cable. Please specify in each position of your order the correspondent code of the feeding cable position you want to have.

ALUMINIUM PROFILES LED MODULES MATCHING CHART

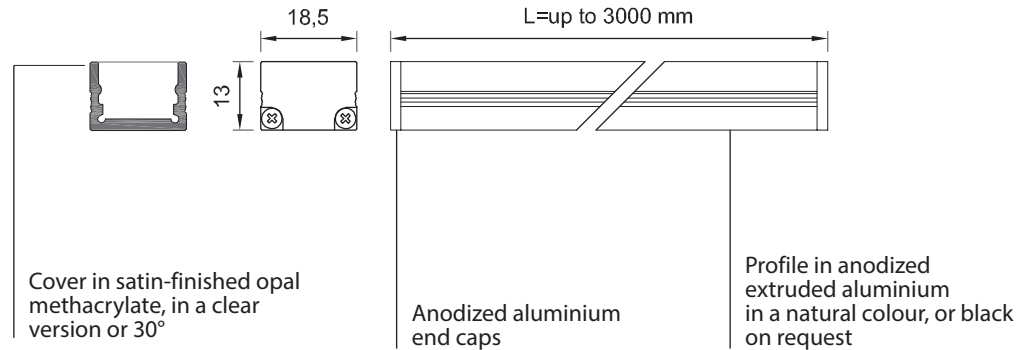
	SERIE ALFA	SERIE BETA	SERIE GAMMA	SERIE DELTA	SERIE OMEGA	SERIE SLOT
MDL-0753020080	●	●	●	●	●	●
MDL-0755630080	●	●	●	●	●	●
MDL-1503020040	●	●	●	●	●	●
MDL-1505630040				●	●	●
MDL-0753528080RGB	●	●	●	●	●	●
FLX-0365630160	●	●	●	●	●	●
FLX-0755630080	●	●	●	●	●	●
FLXS-1203020050	●	●	●	●	●	●

ALUMINIUM PROFILES POTTING MATCHING CHART

	SERIE ALFA	SERIE BETA	SERIE GAMMA	SERIE DELTA	SERIE OMEGA	SERIE SLOT
CMF: COMFORMAL COATING	●	●	●	●	●	●
RES-CLR: SOFT CLEAR POTTING FOR IP67	●	●	●	●	●	
RES-WHT: SOFT OPAL POTTING FOR IP67	●	●	●	●	●	
RES-HD-CLR: WALKOVER HARD CLEAR POTTING FOR IP67		●	●	●	●	
RES-HD-WHT: WALKOVER HARD OPAL POTTING FOR IP67		●	●	●	●	

TECHNICAL
DRAWING

SCALE 1:1



FEATURES

Reduced cross-section

Easy installation with hidden clips or double-sided adhesive tape

Various cover versions

30° lens cover available to reduce the light beam

BETA SERIES

APPLICATIONS

The Beta aluminum profile was designed for integration purposes in furniture, in particular for applications in which installation space constraints are fundamental. Thanks to the reduced cross-section, it seamlessly fits even the smallest spaces. Beta is available with clear or opal cover. The 30° lens version allows to concentrate the light in a medium beam to light up the surfaces as wall washer. Mounting is possible either with fastening clips, fixed or adjustable, or with strong adhesive tape on the designated groove on the back.



HOW TO ORDER

CODING

BETA	
NAME	COVER LENGTH

Example: BETA-LWH100

Note:

Standard cable feed type A (code CAV-A). See page 274 for different feeding configurations.

	NAME	CODE
	BETA	BETA
COVER TYPE	with clear cover	CLR
	with opal cover	LWH
	30° lens cover	F30
	no cover	NNN
LENGTH	up to 50 cm	050
	from 50 to 100 cm	100
	from 100 to 150 cm	150
	from 150 to 200 cm	200
	from 200 to 250 cm	250
	from 250 to 300 cm	300



No cover



With clear cover



With opal cover



With 30° lens cover

SPECIFICATIONS

PHYSICAL

Body material	Aluminium
Body finish	Anodized
Screen material	PMMA
Protection rating	IP20
Weight	0,22 Kg/m
Mounting	Any position

ACCESSORIES

Mounting kit and potting options

Retaining clip kit (2 pcs.)	CMP00912
45° retaining clip kit (2 pcs.)	CMP00913
Adjustable retaining clip kit (2 pcs.)	CMP00914
High resistance adhesive tape	CMP01033
Comformal coating	CMF
Soft clear potting for IP67	RES-CLR
Soft opal potting for IP67	RES-WHT
Walkover hard clear potting IP67	RES-HD-CLR
Walkover hard opal potting IP67	RES-HD-WHT